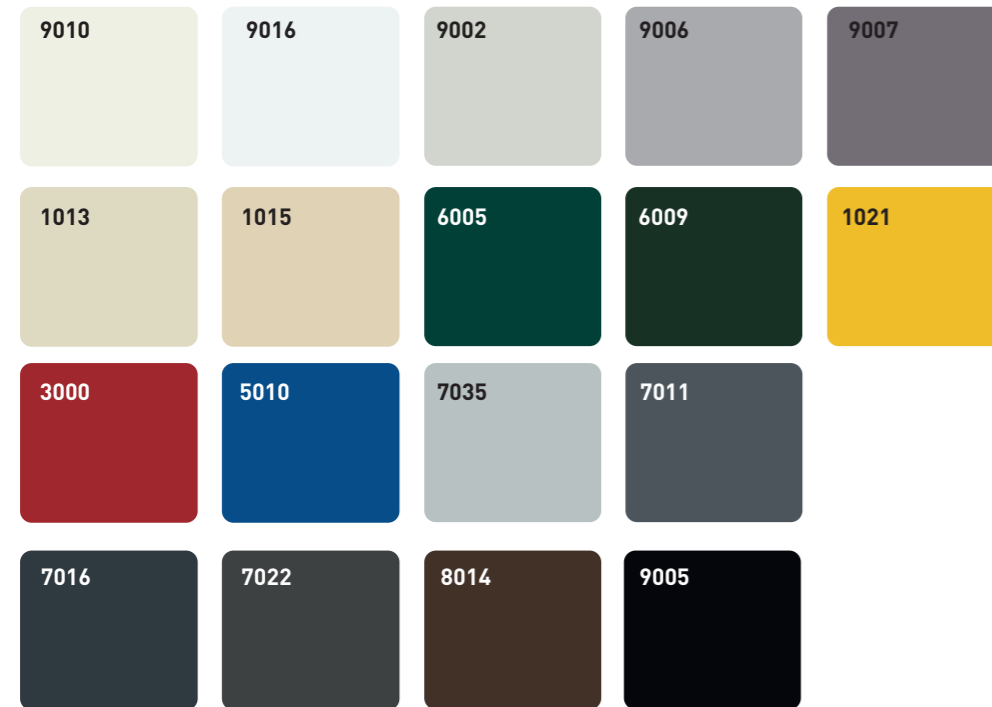


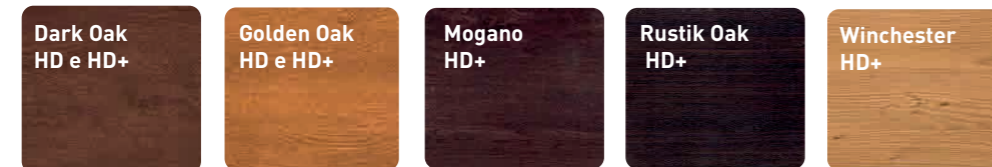
PANEL THICKNESS (mm)	Contribution without joint EN 14509	U (W/m <sup>2</sup> K)				Steel supports	PANEL WIDTH		
		488	500	555	610		488/500	550	610
40		0,53				Panel weight Kg/m	4,6	5,0	5,4

**STANDARD POLYESTER PREPAINTED STEEL**

9016 and 7016 also in POLYGRAIN PAINT

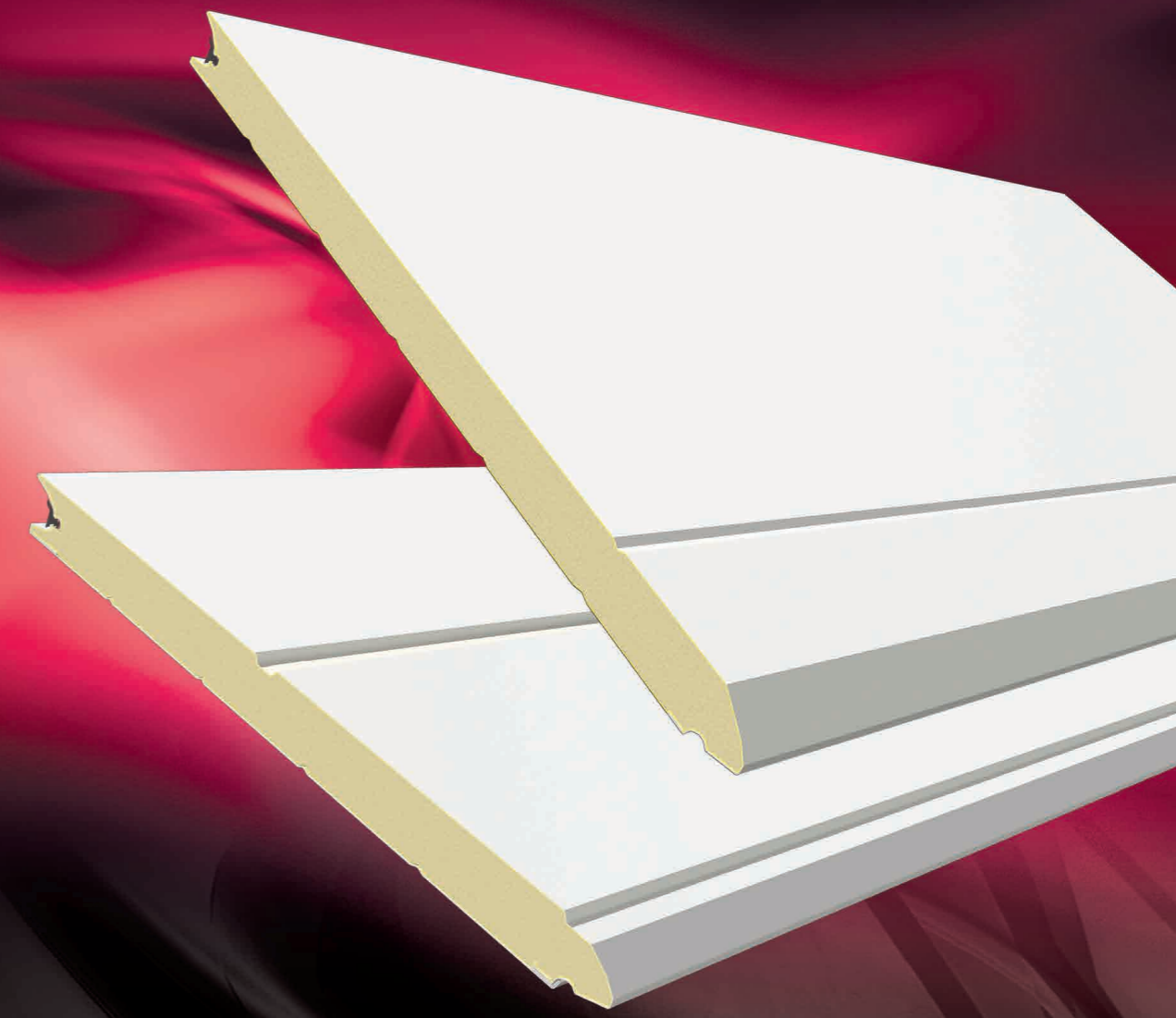


**WOOD IMITATION PREPAINTED STEEL**



For particular colors/finishings please contact our offices / Printed colors are for guidance only

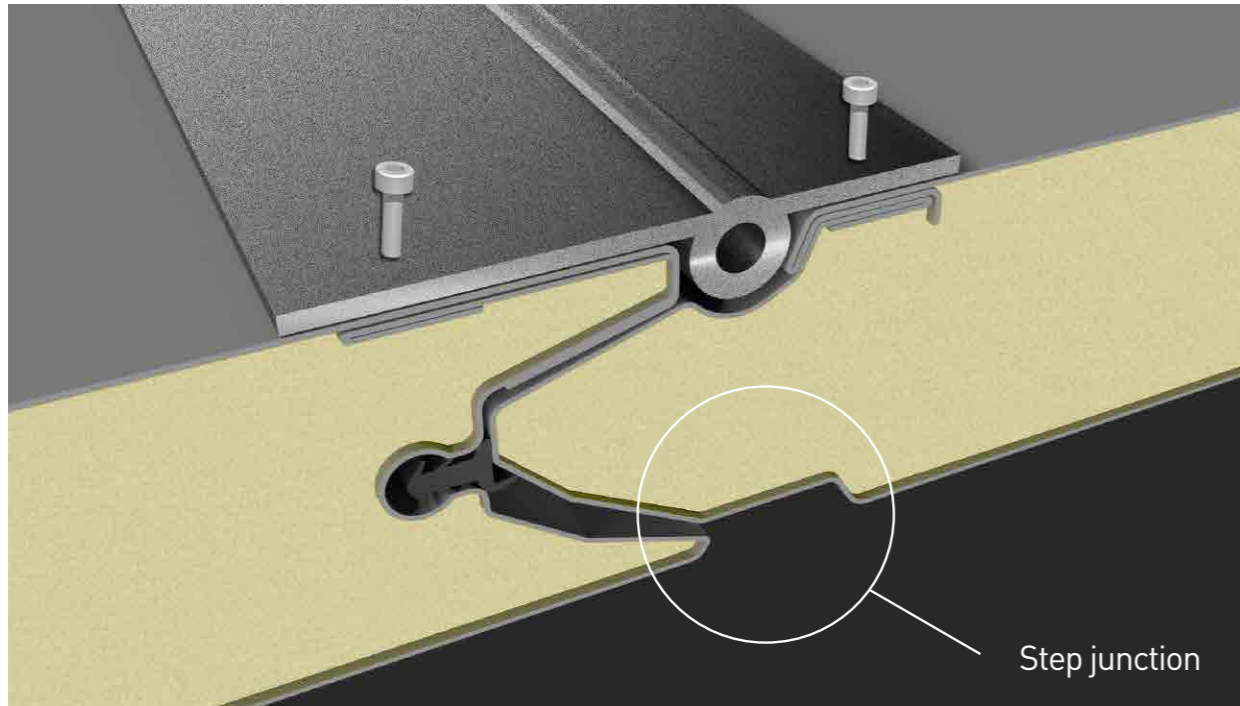
**SURFACE FINISHING**



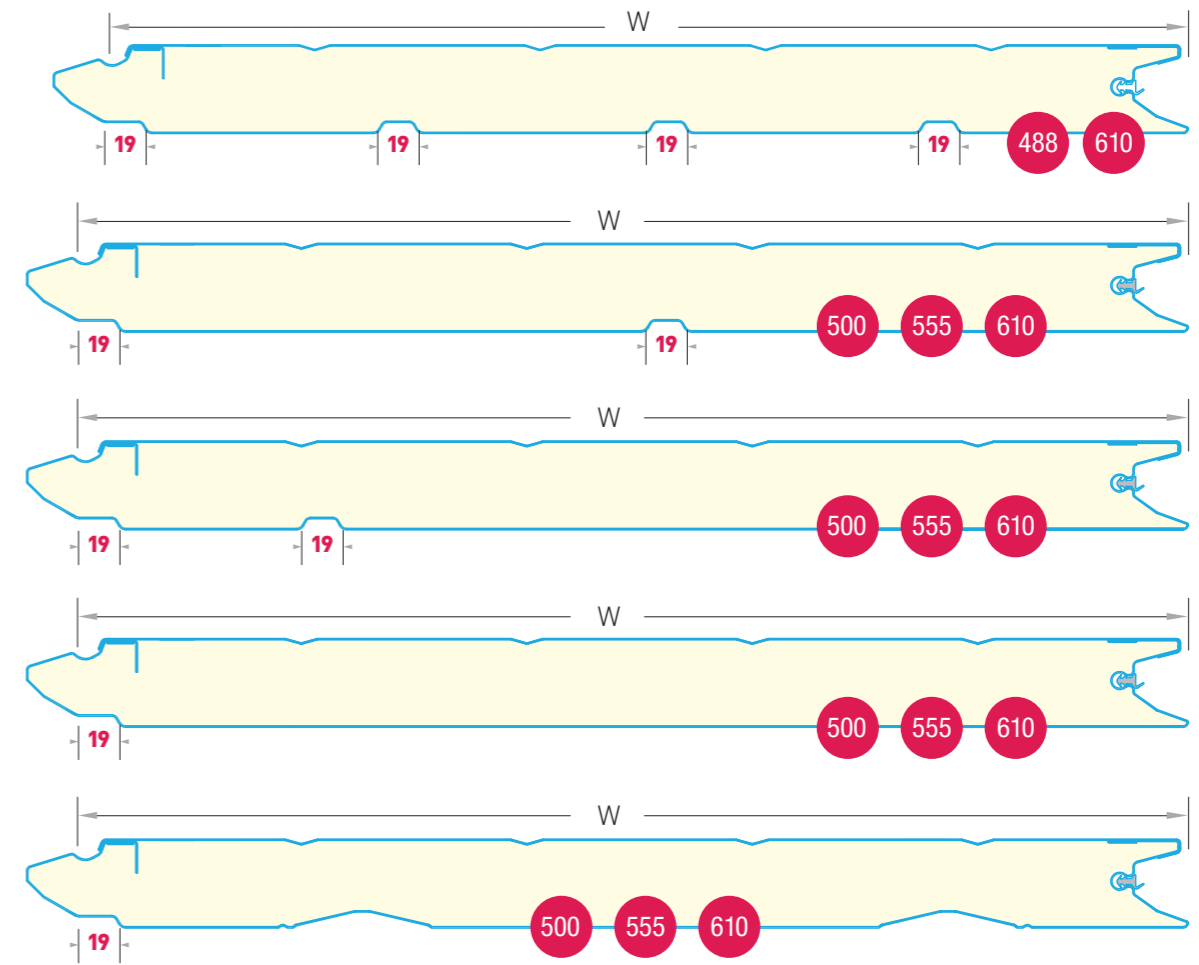


**ITALDOOR/EI - 40**

**Step junction version** / useful width 488\* - 500 - 555\* - 610

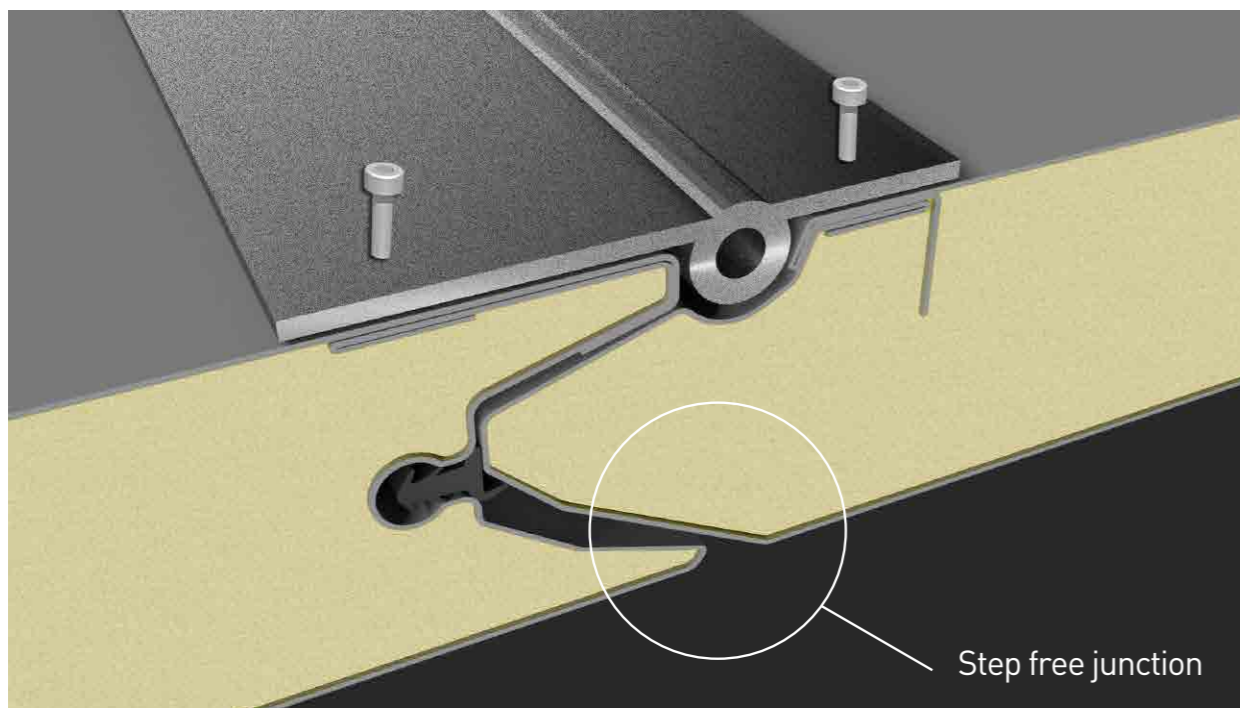


\*Panels useful width mm 488 and 555: minimum quantity required for production m 2500/3000 (one complete truck)



**ITALDOOR/EI - 40**

**Step free junction version** / Useful width 500 - 555\* - 610



\*Panels useful width mm 555: minimum quantity required for production m 2500/3000 (one complete truck)

